

## How to Order Repair Parts:

For nearest service center Call:

**1-800-568-3949**

or send sander to:

Love-Less Ash Company

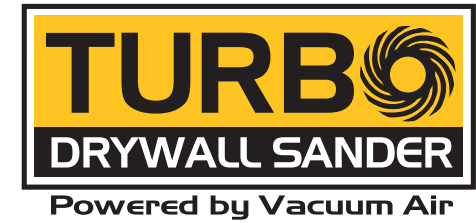
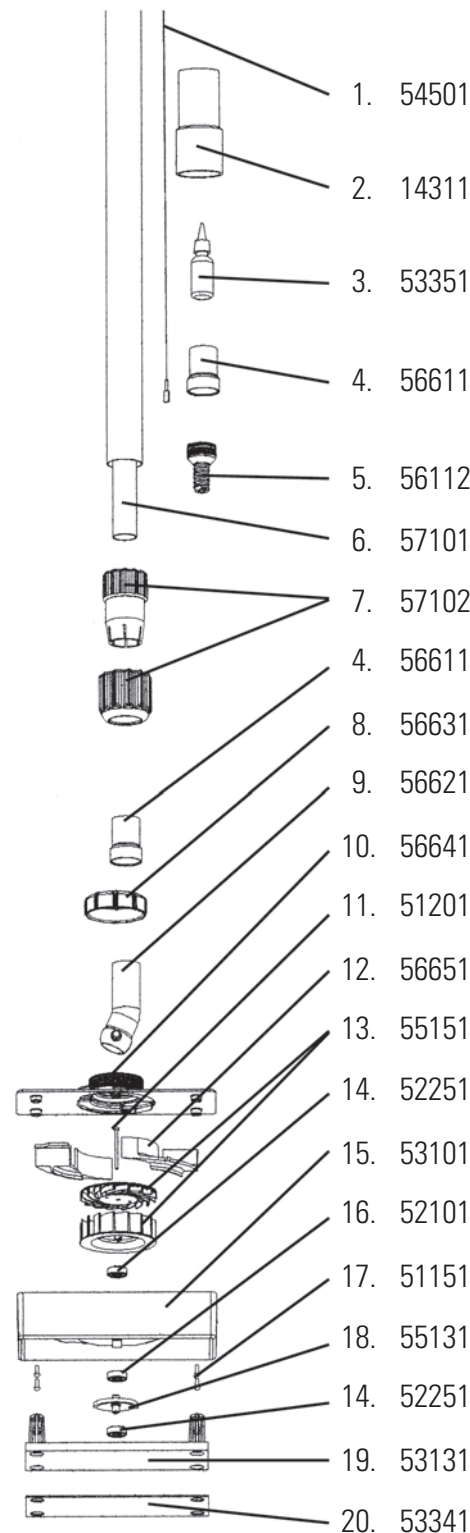
600 South Nick Lane

Price, Utah 84501

## Parts List/Accessories

Item #	Qty.	Part #	Description
1.	1	54501	Copper wire 18"
2.	1	14311	1 1/2" Soft Hose Adapter
3.	1	53351	1/2 oz Bearing Oil with spout
4.	2	56611	Sander Adapter for hand handing
5.	1	56112	Acme Thread Adapter
6.	1	57101	Extension Pole
7.	2	57102	Pole Locking Mechanism (2 parts)
8.	1	56631	Cap
9.	1	56621	Goose Neck
10.	1	56641	Power Head Block Cover
11.	1	51201	Turbine Screw 11/8"
12.	2	56651	Air Inserts
13.	2	55151	Turbine (2 parts)
14.	2	52251	Shielded Bearing
15.	1	53101	Power Head Block
16.	1	52101	Sealed Bearing
17.	4	51151	Sander Screws 3/8" (4)
18.	1	55131	Sander Counter Weight
19.	1	53131	Sanding Pad (Hard with Stand offs)
20.	1	53341	Velcro Pad

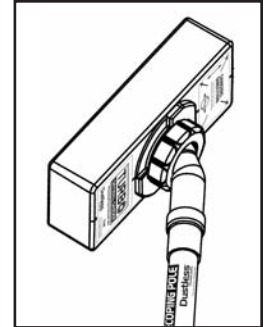
Sand Paper	Qty	Number	Qty	Number
220 Grit	5	54301	25	54302
180 Grit	5	54201	25	54202
120 Grit	5	54101	25	54102
100 Grit	5	54501	25	54502
80 Grit	5	54401	25	54402



## INSTRUCTION MANUAL

Congratulations on your purchase of this contractor quality Turbo Drywall Sander.

Model 50001



### Important:

Please read these instructions completely and carefully before operating your new Turbo Drywall Sander. Keep this instruction sheet for future reference.

### Limited Warranty

Your Turbo Drywall Sander is warranted in normal use; provided that use is in accordance with the Owner's Manual and the safety rules listed within, against original defects in material and workmanship for a period of 30 days. Please note this warranty is limited to and applies only to the original purchaser. Love-Less Ash Company is not responsible and will not be held liable for statements made by any person(s) as to operation of this unit that vary from the terms of this limited warranty. Please read this manual carefully for limitations. There are no warranties express or implied written or verbal, which extend beyond the description in this manual.

Simply return the complete unit or part, (transportation prepaid), to Love-Less Ash Company, 600 South Nick Lane, Price, Utah 84501. Love-Less Ash Company assumes no responsibility for damage or faulty performance caused by misuse or careless handling, or where repairs have been made or attempted by others. Proof of purchase date is required. This warranty gives you specific legal rights and you may also have other rights, which may vary, from state to state.

## Important Safety Instructions:

1. Use Safety Glasses and Hearing Protection – Protection for eyes and ears is always recommended.
2. Guard against electric shock- This tool is supplied with a grounding strip inside the extension pole. Never use this tool with out the grounding strip in place. This sander does not have an electrical cord but the vacuum you will use with it does. Always protect electrical cords and use an appropriately grounded vacuum.
3. Observe OSHA Rule Avoid Power lines by 10 feet.
4. Use right tool –Don't use tool for purpose not intended.
5. Don't force tool – It will do the job better and safer at the rate for which it was intended. Use a light touch.
6. Don't overreach – Keep proper footing and balance at all times.
7. Maintain tools with care – Keep tools clean for better and safer performance. Follow instructions for lubricating and changing sandpaper. Inspect tools periodically and if damaged, have repaired by authorized service facility.
8. Replacement parts – when servicing use only identical replacement parts.
9. When extending or contracting the extension pole – always have vacuum source turned off.

## Additional Safety Rules

1. This Turbo Drywall Sander is specifically designed to work with the Love-Less Ash Company Model 16004 QV "Dustless" Drywall Vacuum. Love-Less Ash Company is not responsible for the performance of this sander with any other wet/dry vacuum.
2. Hold the tool firmly
3. Keep hands away from rotating parts or pinch points.
4. Do not leave the tool running when not in use.
5. Operate the tool only when hand-held.

## SAVE THESE INSTRUCTIONS.

### Set Up Instructions:

#### Attaching Abrasive Hook & Loop Sandpaper

Always make sure the sander is off before removing sandpaper. The Turbo Drywall Sander is equipped with a hook and loop sandpaper system. Align one edge of the loopbacked sandpaper with the hook- topped sander pad. Then align the opposite edge of the sandpaper and sander pad. Push down and press paper firmly along the length of the sandpaper until sandpaper is smooth and flat.

**Note: Other types of regular or peel and stick sandpaper will not work with this system.**

## Grounding

Due to static electricity that could build up from normal sanding in dry conditions, this sander has been supplied with a grounding strip. This grounding strip is installed at the factory before shipping. It is located inside of the gooseneck and extends down the inside of the extendable pole.

**NOTE: If static electric shock should occur, the grounding strip may need to be reinstalled.**

**Extendable Pole** – The extendable pole has a twist and lock feature that allows the pole to be shortened or lengthened for use. Twist the handle lock clockwise to loosen, counter clockwise to tighten.

**Vacuum Hose Adapter** – A soft black 1-1/2" vinyl hose adapter, part # 14311, is provided for connecting the Turbo Drywall Sander to Model 16004QV "Dustless" Wet/Dry Vacuum manufactured by Love-Less Ash Company. This adapter has left handed treads for connecting to a 1-1/2" diameter hose. The non threaded end slips over the end of the extendable pole.

**Acme Thread Adapte** – This is supplied so the extension pole may be used for universal purposes ie paint roller or broom handle. Part # 56112

**Lubricating Oil** – This specially designed lubricating oil will not attack plastic surfaces. It will evaporate and not create buildup on the high-speed turbine. Minimum of 3-4 drops of oil should be applied every 30 minutes of actual sanding. Apply oil while vacuum is on and attached to sander. This will draw the oil into the sander bearings.

**Oil Hole** – Make sure the oil hole is facing away from adjoining surfaces so clean air is drawn into the sander.

### Helpful Hints:

1. The lubrication hole located on the side of the sander must at all times be kept **away** from working surfaces or walls. This allows the hole to breathe clean air and reduces the amount of dust drawn into the bearings.  
**Do not cover the hole as it must remain open at all times.**
2. Use a light touch. This will allow the sander to sand and not get bogged down. You can still move the power head and help the sander to sand faster just use a light touch.

3. If the sander, with new sandpaper, is hard to maneuver on the wall, simply turn off the sander and then rub the sandpaper and sander 2-3 short swipes across a concrete floor. This knocks off the high uneven edges that may exist on new sandpaper.
4. The cap and gooseneck may be removed and the gooseneck reinstalled in a different rocking position. This allows the power head to rock at different angles as needed.
5. With the hand adapter Part #56611 the power head may be removed from the extension pole and used as a hand sander for tight locations where the pole may be cumbersome, ie halls or closets.
6. For best operation keep sander flat against the wall.

## TROUBLE SHOOTING:

### Hard to maneuver sander up and down the wall –

1. Pushing too hard. Sanding too hard will hinder the sanding vibration. A light touch is needed.
2. New sandpaper (refer to Helpful hints #3)
3. Wrong angle of sander for working direction. (refer to Helpful hints #4)

### Chattering –

1. Pushing too hard. Sanding too hard will remove the sanding vibration. A light touch is needed.
2. New sandpaper (refer to Helpful hints #3),
3. Wrong angle of sander for working direction, (refer to Helpful hints for solution #4)

### Sander stops working –

1. Bearings may be frozen up. Lubricate sander every 30 working minutes of use with minimum of 3-4 drops of lubricating oil Part #53351. A large particle of material may be lodged in the turbine. Remove cap and goose neck and see that the turbine spins freely. Turbine screw may have worked loose.
2. No Suction – Check suction on wet/dry vac. Hose may be plugged – check for obstructions, check filters.

### Dust is in the air –

1. Check wet/dry vac. Make sure the wet/dry vac is a "Dustless" system.

**OPERATION:** Connect the sanding power head to the gooseneck. The cap threads onto the block and holds the gooseneck in place. Thread the gooseneck onto the extension pole. Use the soft 11/2" adapter to connect the end of the pole to the vacuum hose. Turn on your vacuum and the sander power head will vibrate.